

MaxMotion

PERFORMANCE DATA SHEET

Meets or exceeds MEPS (Minimum Efficiency Performance Standards), as described by the US Department of Energy in docket 10CFR431 and Natural Resources Canada's Amendment 14

Catalogue #: MQR-132CH

HP	kW	Voltage	S.F. @ 60Hz	Efficiency	Power Factor	Frame	Design	L.R. Amps
0,33	0,25	230 / 460	1,15	67,6%	0,700	56HC	B	6

60 Hz								
FLA							Code	F.L. RPM
208	230	416	460	480	575	600		
/	1,31	/	0,66	/	/	/	L	3481

50 Hz								
HP	kW	FLA		S.F. @ 50Hz	Efficiency	Power Factor	Code	F.L. RPM
		190	380					
0,25	0,1865	1,4	0,7	1,15	60,0%	0,89	L	2890

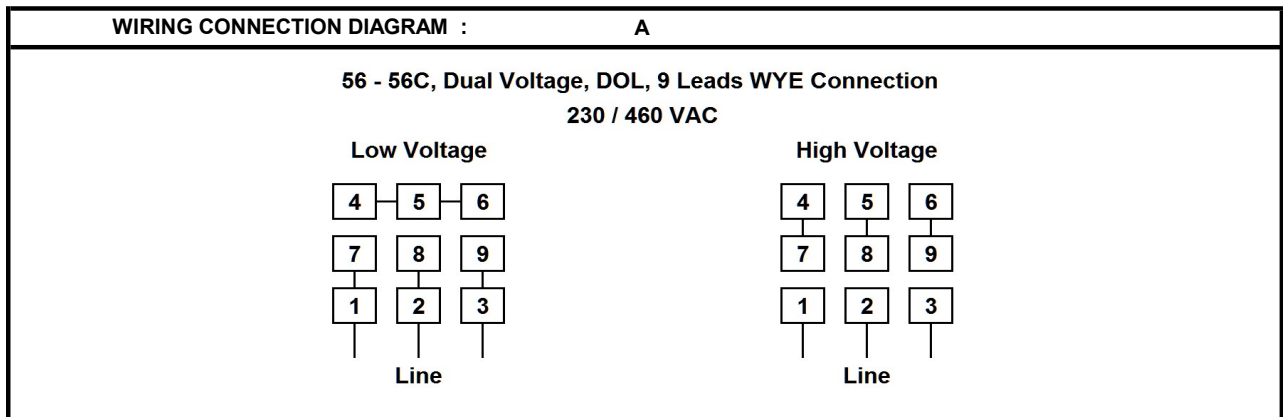
Wgt. Lbs	PH	Duty	Insul. Class	Amb.	Elevation	Temp. Rise° C
21	3	Cont.	F	40°C	1000M (3300 Ft)	37

% Efficiency		% Power Factor		Torque		Winding Resist. Ω	Safe Cold Start (Secs)
Full Load:	67,6%	Full Load:	0,70	Full Load Ft/Lbs	0,5		
3/4 Load:	62,3%	3/4 Load:	0,63	Locked Rotor %	456		
1/2 Load:	53,8%	1/2 Load:	0,53	Break Down %	407	14,45 / 57,7	12

Rotor Inertia Wk2 Lb-Ft2	Max Load Inertia Wk2 Lb-Ft2	Shaft Material	Frame Material	DE Bracket Type	ODE Bracket Type	Enclosure	NEMA Rating	Lead Wire Size
/	/	Steel	Rolled Steel	Aluminium Alloy		TEFC	IP55	16AWG

Ball Bearings		Grease	Mount Type	Orientation	Paint	Sound Pressure @ 3FT	Sound Power
DE	ODE						
6205	6203	Sealed Bearings	Rigid	Horizontal	Grey	52	/

Inverter Duty.	Constant Torque Range	Variable Torque Range	Constant HP RPM
Motor meets MG1 parts 31.4.4.2	10:1	20:1	5400



Date: 2024-05-01
 Customer: _____
 Contact: _____
 Submittee: J.C. Lavallée

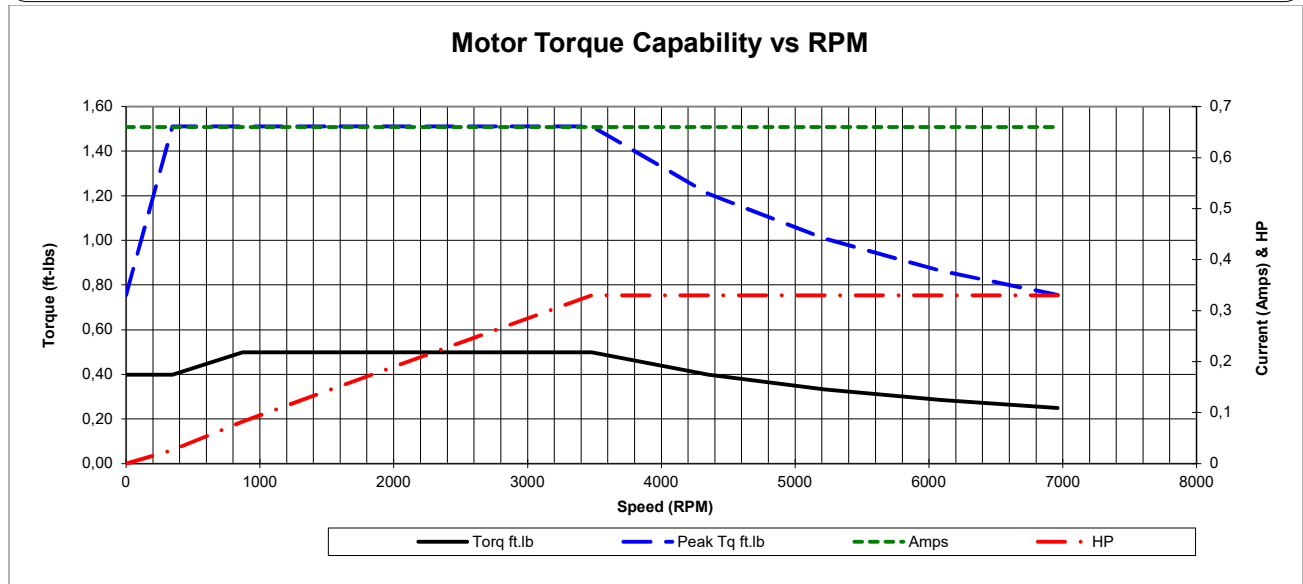
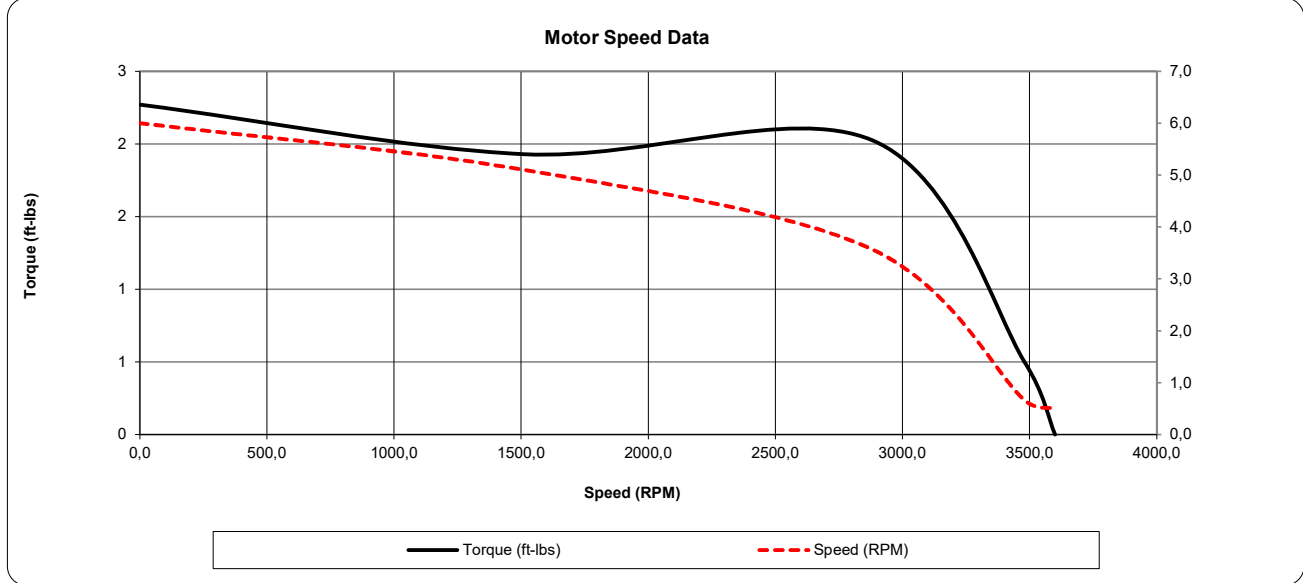
Catalogue #: **MQR-132CH**

Meets or exceeds MEPS (Minimum Efficiency Performance Standards), as described by the US Department of Energy in docket 10CFR431 and Natural Resources Canada's Amendment 14

HP	VAC	RPM	Enclosure	Frame	Frequency	Design	Poles	LR Code Letter	Insulation Class	Temp. Rise °C
0,33	460	3481	TEFC	56HC	60	B	2	L	F	37

	0Hz	6Hz	15Hz	30Hz	45Hz	60Hz	75Hz	90Hz	105Hz	120Hz
Amps	0,66	0,66	0,66	0,66	0,66	0,66	0,66	0,66	0,66	0,66
RPM	0	348,1	870,25	1740,5	2610,75	3481	4351,25	5221,5	6091,75	6962
Torq ft.lb	0,40	0,40	0,50	0,50	0,50	0,50	0,40	0,33	0,28	0,25
Peak Tq ft.lb	0,76	1,51	1,51	1,51	1,51	1,51	1,21	1,01	0,86	0,76
HP	0	0,0	0,1	0,2	0,2	0,3	0,3	0,3	0,3	0,3

	Locked Rotor	Pull-Up	Breakdown	Rated Load	Idle	Duty	S. F.	Ambient	Elevation	dBA @ 1M
Speed (RPM)	0,0	1512	2880	3481	3600	Continuous	1,15	40°C	3,300 ft	52
Current (Amps)	6,0	5,1	3,6	0,7	0,5	VFD Rating: Meets MG1 parts 31.4.4.2				
Torque (ft-lbs)	2,3	1,9	2,0	0,5	0,0	C.T.	10:1	V.T.	20:1	





Date: 2024-05-01
 Customer: _____
 Contact: _____
 Submittee: J.C. Lavallée

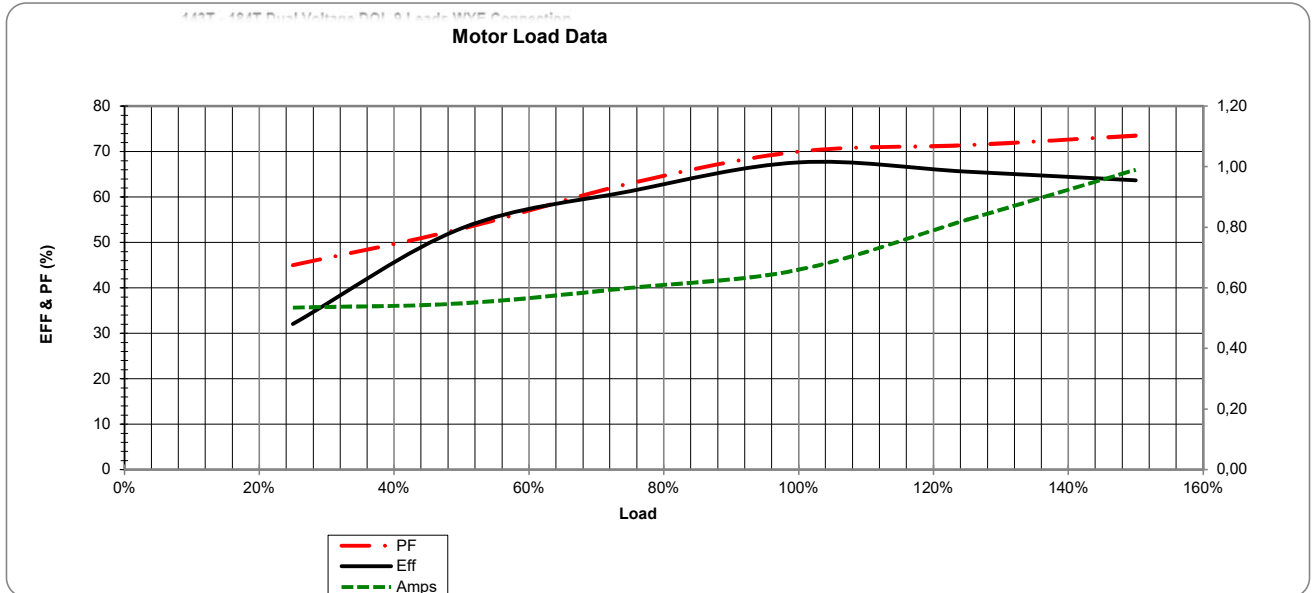
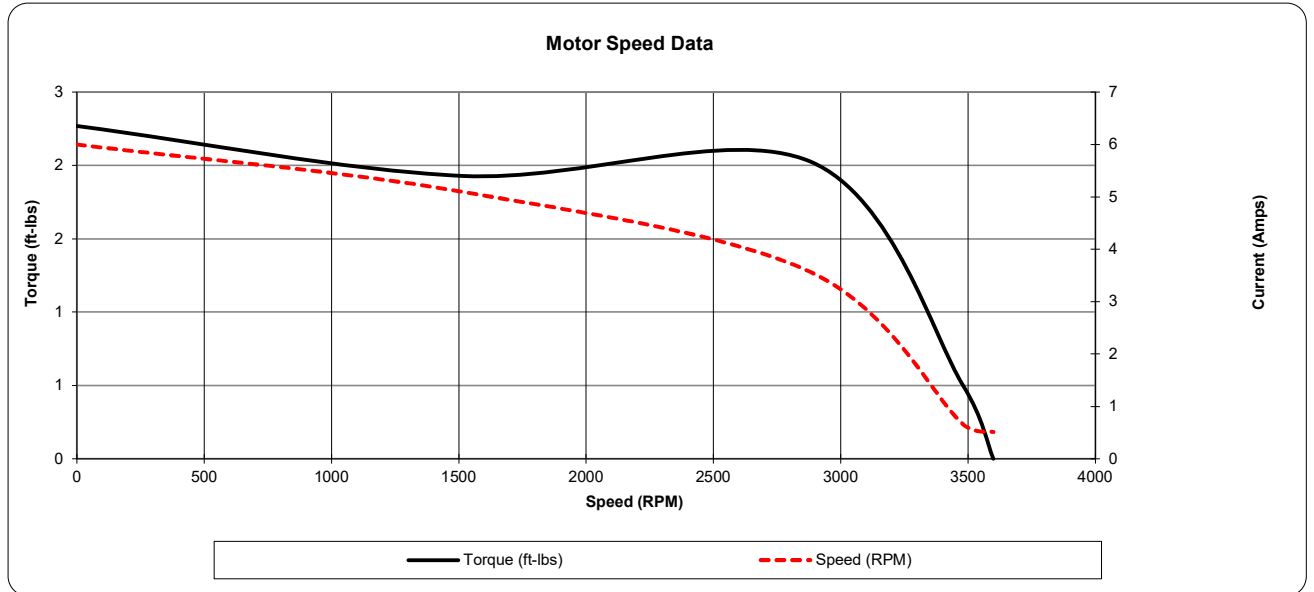
Catalogue #: **MQR-132CH**

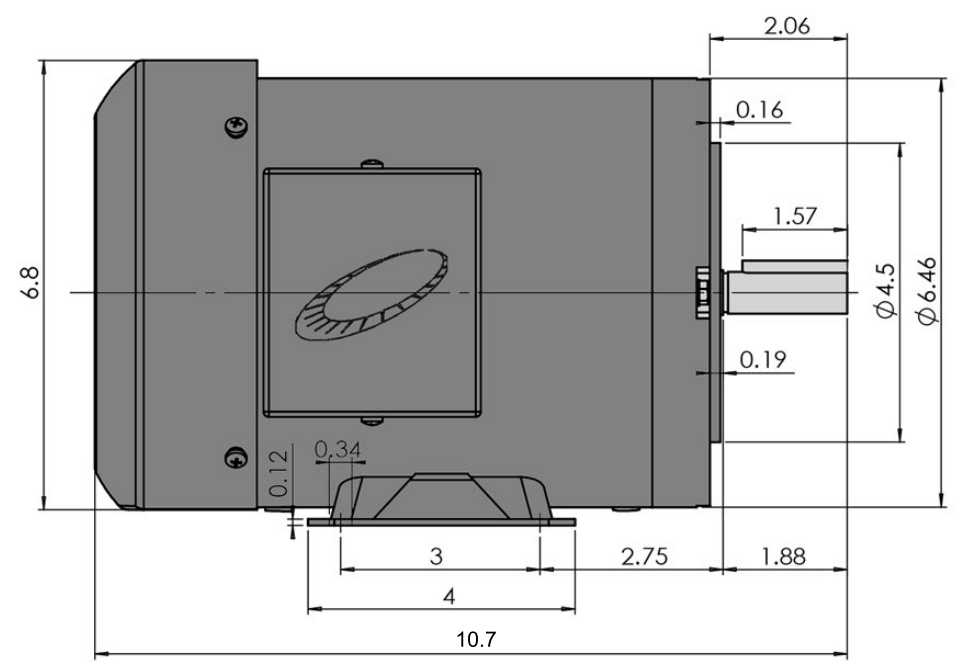
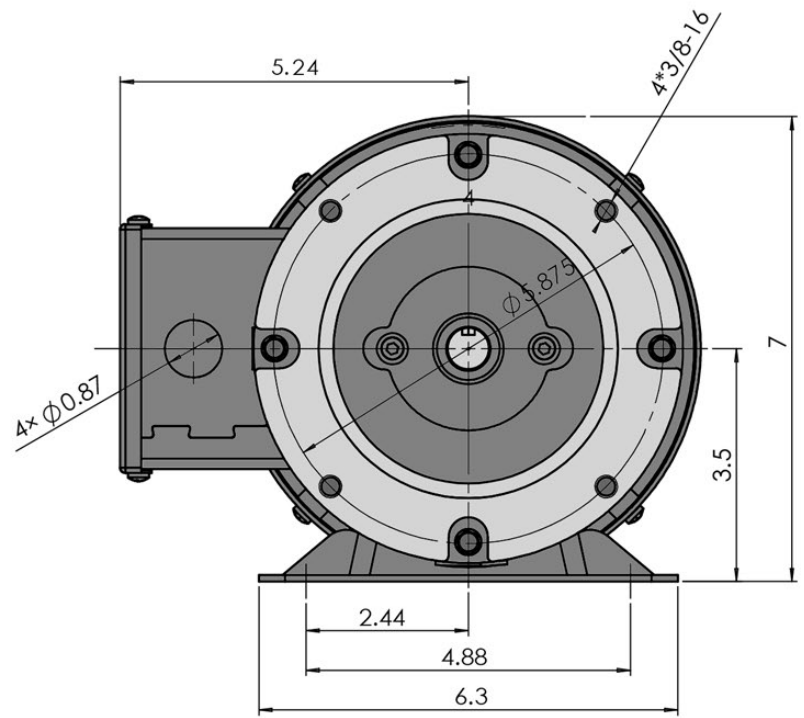
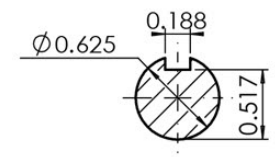
Meets or exceeds MEPS (Minimum Efficiency Performance Standards), as described by the US Department of Energy in docket 10CFR431 and Natural Resources Canada's Amendment 14

HP	VAC	RPM	Enclosure	Frame	Frequency	Design	Poles	LR Code Letter	Insulation Class	Temp. Rise °C
0,33	460	3481	TEFC	56HC	60	B	2	L	F	37

Load %	0%	25%	50%	75%	100%	125%	150%
Amps	0,51	0,54	0,55	0,60	0,66	0,83	0,99
Torq ft/lbs	0	0,12	0,24	0,37	0,50	0,63	0,76
RPM	0	3570,25	3540,5	3510,75	3481	3451,25	3421,5
Eff	0	32,09	53,10	61,31	67,60	65,57	63,70
PF	0	45,0	53	63	70,0	71,4	73,5

	Locked Rotor	Pull-Up	Breakdown	Rated Load	Idle	Duty	S. F.	Ambient	Elevation	dBA @ 1M
Speed (RPM)	0	1512	2880	3481	3600	Continuous	1,15	40°C	3,300 ft	52
Current (Amps)	6	5,1	3,6	0,66	0,513	VFD Rating: Meets MG1 parts 31.4.4.2				
Torque (ft-lbs)	2,27	1,93	2,03	0,50	0,0	C.T.	10:1	V.T.	20:1	





Version:2HUA	Revised: July 2020	HP	RPM	FRAME	ENCLOSURE
Customer is responsible in determining that MaxMotion product will fit/perform suitably in the intended application		1/3	3600	56C	TEFC

MQR-132CH

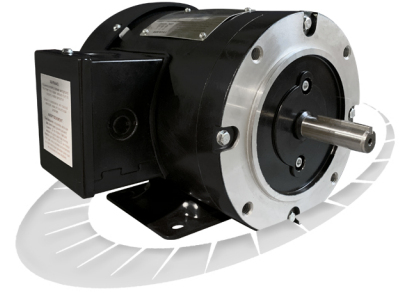
THREE PHASE 56HC AC MOTORS

HEAVY GAUGE ROLLED STEEL CONSTRUCTION
TEFC TOTALLY ENCLOSED FAN COOLED

MaxMotion

Applications:

A versatile design allowing replacement of C-Face or rigid base TEFC motors, for use on gear reducers, pumps, fans, blowers, conveyors, and all agricultural equipment requiring a motor to meet demanding high starting torque applications in severe environmental conditions.



Features:

Design - NEMA Standard MG-1, design B, ambient temperature of 40°C, altitude 1000M, temperature rise B.

Agency Listings and Standard - NEMA MG1, IEEE, IEC, DOE registered, NRCAN, CSAus and CSA Certified, CE and RoHS Compliant

Service Factor - 1.15

Electrical Supply - 3 phase, 230/460VAC, 575VAC @ 60 hz, 3 phase 190/380VAC @ 50 Hz rated to the next lower HP. (± 10% Voltage tolerance)

Windings - Highest quality Corona resistant, Inverter duty copper wire. VPI impregnated with additional dip and bake.

Efficiency - Integral HP models meet or exceed NEMA Premium efficiency levels.

Insulation - Class F insulation, with non-hydroscopic motor leads.

Bearings - Permanently Lubricated High quality Double Shielded Ball Bearings with oversized DE bearings. Lithium based grease operating temperature range – 25° through 175°C.

Enclosure Protection - Totally Enclosed Fan Cooled meeting IEC standard IP55. Factory Certified Division 2 Class I Groups A, B, C, D Class 11 Groups F, G. Meets Temp Code T2B.

Frame Construction - Rolled Steel with cast aluminum end shields.

Conduit Box - With ½ NPT knockouts positioned for wiring access every 90° with rubber gasket between box and motor frame.

Inverter Duty - Constant torque: 10/1 ratio, variable torque: 20/1 ratio

Nameplate - Stainless steel with etched details.

Drain Hole - Positioned in the stator frame at the lowest point, when motors are horizontally mounted.

Fan cover - Plastic fan & heavy duty plastic fan guard

Warranty - 1 year

100% CANADIAN OWNED



THREE PHASE 56HC AC MOTORS

HEAVY GAUGE ROLLED STEEL CONSTRUCTION

TEFC TOTALLY ENCLOSED FAN COOLED



HP	FL RPM	VOLTS	FRAME	CAT NO.	CONSTRUCTION	NOM EFF.	F.L. AMPS	CODE	WT (Lbs)	DE BRG	ODE BRG	"C" Dimension (Inch)
0.33	3481	208-230/460	56C	MQR-132CH	Rolled Steel	67.6	1.28-1.31/0.66	L	21	6205	6203	10.7
	3470	575	56C	MPR-132CH	Rolled Steel	62.8	0.57	L	21	6205	6203	10.7
	1744	208-230/460	56C	MQR-134CH	Rolled Steel	66.1	1.53-1.63/0.82	L	22	6205	6203	10.7
	1750	575	56C	MPR-134CH	Rolled Steel	69.2	0.58	L	22	6205	6203	10.7
0.50	3466	208-230/460	56C	MQR-122CH	Rolled Steel	71.6	1.74-1.67/0.84	L	21	6205	6203	10.7
	3471	575	56C	MPR-122CH	Rolled Steel	69.3	0.672	L	21	6205	6203	10.7
	1741	208-230/460	56C	MQR-124CH	Rolled Steel	74.1	1.9-1.95/0.98	L	24	6205	6203	10.7
	1753	575	56C	MPR-124CH	Rolled Steel	77.1	0.71	L	24	6203	6203	10.7
0.75	3469	208-230/460	56C	MQR-342CH	Rolled Steel	80.3	2.24-2.08/1.04	L	22.5	6205	6203	10.7
	3474	575	56C	MPR-342CH	Rolled Steel	76.2	0.86	L	22.5	6205	6203	10.7
	1738	208-230/460	56C	MQR-344CH	Rolled Steel	80.7	2.43-2.34/1.18	L	25.3	6205	6203	10.7
	1744	575	56C	MPR-344CH	Rolled Steel	80.5	0.91	L	25.3	6205	6203	10.7
1	3506	208-230/460	56C	MQRP-102CH	Rolled Steel	82.7	2.92-2.75/1.38	L	25	6205	6203	10.7
	3510	575	56C	MPRP-102CH	Rolled Steel	80.7	1.14	L	25	6205	6203	10.7
	1752	208-230/460	56C	MQRP-104CH	Rolled Steel	86.5	3.01-2.82/1.41	L	27	6205	6203	10.7
	1756	575	56C	MPRP-104CH	Rolled Steel	85.6	1.14	L	27	6205	6203	10.7
1.5	3492	208-230/460	56C	MQRP-152CH	Rolled Steel	86.6	4.03-3.81/1.9	L	28	6205	6203	10.7
	3478	575	56C	MPRP-152CH	Rolled Steel	85.1	1.61	L	28	6205	6203	10.7
	1752	208-230/460	56C	MQRP-154CH	Rolled Steel	86.6	4.59-4.41/2.21	L	31	6205	6203	11.5
	1745	575	56C	MPRP-154CH	Rolled Steel	86.7	1.65	L	31	6205	6203	11.5
2	3500	208-230/460	56C	MQRP-202CH	Rolled Steel	85.5	5.39-5.05/2.53	L	32	6205	6203	11.5
	3502	575	56C	MPRP-202CH	Rolled Steel	86	2.03	L	32	6205	6203	11.5
	1741	208-230/460	56HC	MQRP-204CH	Rolled Steel	87.1	6.0-5.43/2.74	L	37	6205	6203	12.5
	1752	575	56HC	MPRP-204CH	Rolled Steel	87.6	2.15	L	37	6205	6203	12.5
3	3513	208-230/460	56HC	MQRP-302CH	Rolled Steel	87.6	7.81-7.18/3.54	L	42	6205	6203	12.5
	3512	575	56HC	MPRP-302CH	Rolled Steel	87.6	3.05	L	42	6205	6203	12.5